



# Assembly Instructions ShadeTree® Canopy Systems

*A wood support constructed with a ShadeTree Bracket System.*

---

## Garden Getaway

---



---

Dear Customer:

Thank you for purchasing our **ShadeTree® Canopy System**. We trust these assembly instructions will be satisfactory for your installation. If you have any questions, please feel free to call 1-800-894-3801.

And here's a special offer we'd like to make to you: Send us a photo of your new ShadeTree® installation and we will send you **\$50** if we use your photo in our advertising materials. Before and after pictures will receive an additional \$50. A deck or patio that is nicely furnished helps us communicate to prospective customers how nice a ShadeTree® patio can be.

We hope you enjoy your new ShadeTree® patio canopies.

Sincerely,

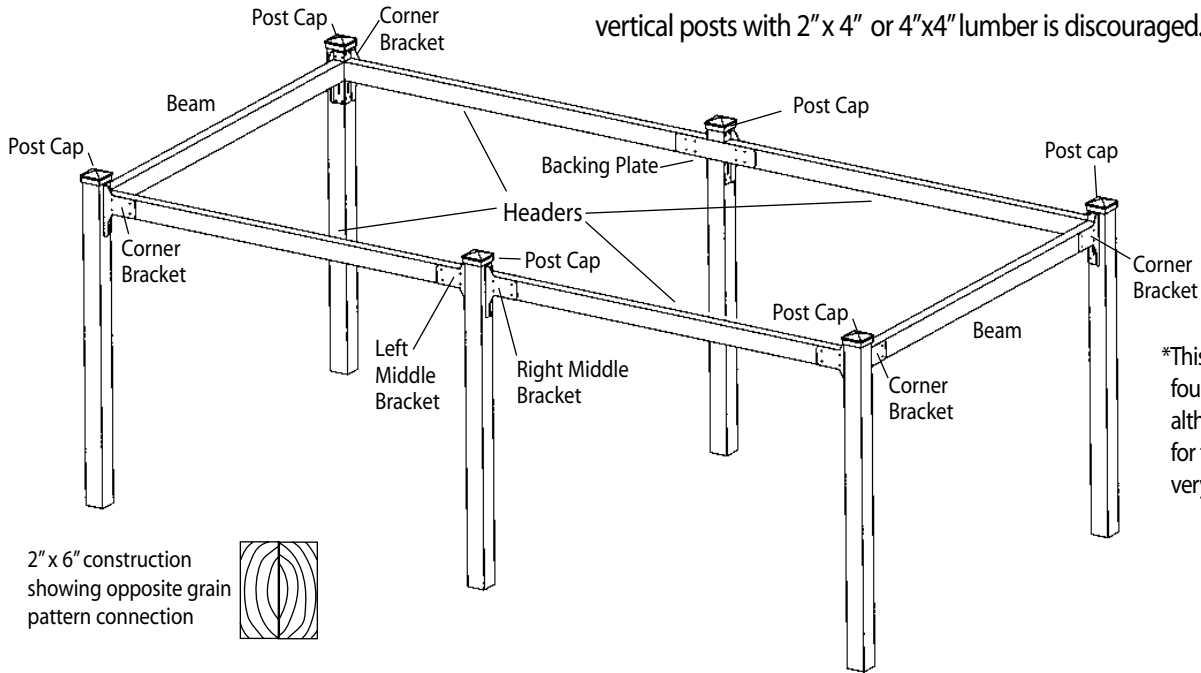
Marvin E. Williams, President  
ShadeTree Systems, LLC.



# Garden Get-Away

a **wood** frame assembled with bracket system

These instructions assume the double sided tracks will be attached to the inner sides of 4"x6" wood **headers** that are supported by a wood frame constructed on site. You can also use two 2" x 6" beams screwed together with the grain pattern running opposite direction to avoid more chance of a twist and/or warping. Construction of beams and vertical posts with 2" x 4" or 4"x4" lumber is discouraged.



\*This design is for four canopies, although the design for three canopies is very similar.

## Lumber required for standard Garden-Get-Away kits:

Lumber should be cut to length. All cuts are for 12' projection

### Kit # 1 - 12' X 10' 8" (for 2 canopies)

- Qty. 4 - 6" X 6" X 8' or 10' wood posts
- Qty. 2 - 4" X 6" X 12' wood beams
- Qty. 2 - 4" X 6" X 12' wood headers. Cut length on header is 11'.
- \*Optional: 2" X 6" X 12' can be substituted for 4" x 6" X 12' wood beams and headers, but quantities must be doubled.

### Kit # 2 - 12' X 16' (for three canopies)

- Qty. 6 - 6" X 6" X 8' or 10' wood posts
- Qty. 2 - 4" X 6" X 12' wood beams
- Qty. 4 - 4" X 6" X 8' wood headers. Cut length on header is 7' 11-1/4"
- \*Optional: 2" X 6" X 8' or 12' can be substituted for wood beams and headers, but quantities must be doubled.

### Kit # 3 - 12' X 21' 4" (for four canopies)

- Qty. 6 - 6" X 6" X 8' or 10' wood posts
- Qty. 6 - 4" X 6" X 12' wood beams and headers. Cut length on header is 10' 7-1/4"
- \*Optional: 2" X 6" X 12' can be substituted for wood beams and headers, but quantities must be doubled.

All Bracket Kits are shipped with the following kits and parts included. This chart is intended as a check-off list only.

Parts for <b>Garden Get-Away Support System</b> (to support the Forester overhead canopies & tracks)	
	<b>Quantity</b>
<b>Kit #1 - 12' x 10' 8"</b>	
Corner Brackets	4
Post Caps	4
Bolts & Washers	88
<b>Kit #2 - 12' x 16'</b>	
Corner Brackets	4
Right Middle Bracket	2
Left Middle Bracket	2
Backing Plate	2
Post Caps	6
Bolts & Washers	148
<b>Kit #3 - 12' x 21' 4"</b>	
Corner Brackets	4
Right Middle Bracket	2
Left Middle Bracket	2
Backing Plate	2
Post Caps	6
Bolts & Washers	148

Tools required:

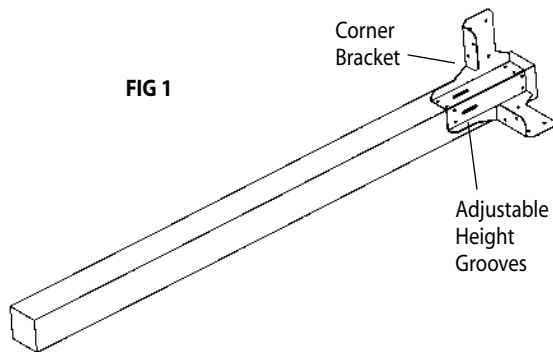
- |                                    |   |
|------------------------------------|---|
| 1. 3/8" Power Drill                | 5. 3" deck screws                                 |
| 2. 5/16" diameter drill bit        | 6. #2 Phillips screw bit                          |
| 3. Socket Driver with 9/16" socket | 7. 4 pieces of scrap lumber at least 4' long each |

4. Bubble-type level

Two people can assemble the structure.

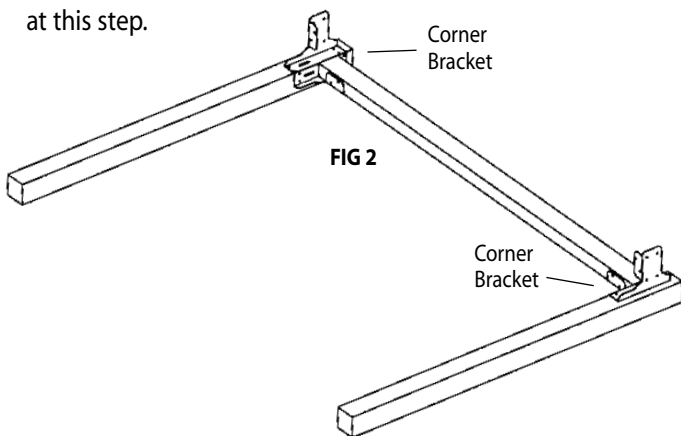
**Step 1 Assemble Corner Posts**

Place *Corner Bracket* on 6" x 6" lumber at least 1 1/2" down from the top of the post. (To allow room for the post caps) Drill (2) 5/16" holes in the adjustable height grooves. Temporarily secure the *Bracket* to the 6" x 6" post with the (2) 3/8" x 3" bolts and washers. Repeat this procedure with the 4 corner posts.



**Step 2 Connect Two Corner Posts and Projection Beam**

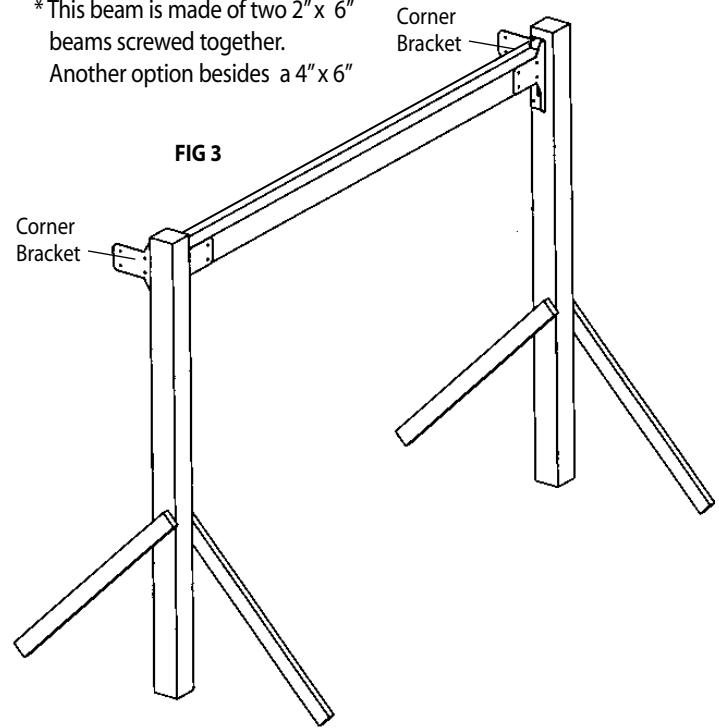
Lay 2 corner post assemblies on the ground 12' apart. Place the 4" x 6" projection beam into the *Brackets*. Drill (2) 5/16" holes in the underside of each *Bracket* (A). Secure the 4" x 6" projection beam to both *Corner Brackets* with (2) 3/8" bolts and washers. If you are attaching your Garden Get-Away to a house and you have a middle post, attach a corner bracket and a corner bracket at this step.



**Step 3 Stand and Secure the Corner Post Assembly**

Stand the assembly upright. Stabilize the assembly temporarily by screwing 3" deck screws into 4' or greater scrap lumber as illustrated in Figure 3. Level the 4" x 6" projection beam by adjusting the *Corner Brackets* up or down. Secure the 4" x 6" beam and the 6" x 6" posts to the *Brackets* by drilling all remaining 5/16" holes and inserting the 3/8" bolts and washers.

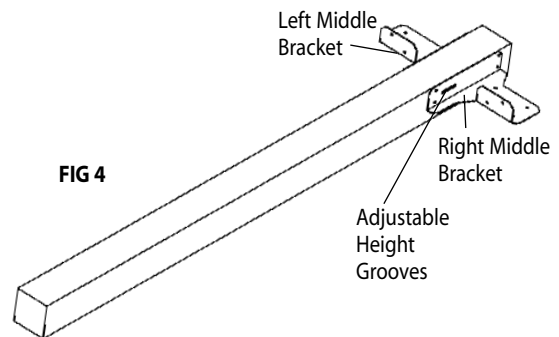
\* This beam is made of two 2" x 6" beams screwed together. Another option besides a 4" x 6"



**Step 4 Assemble Center Posts**

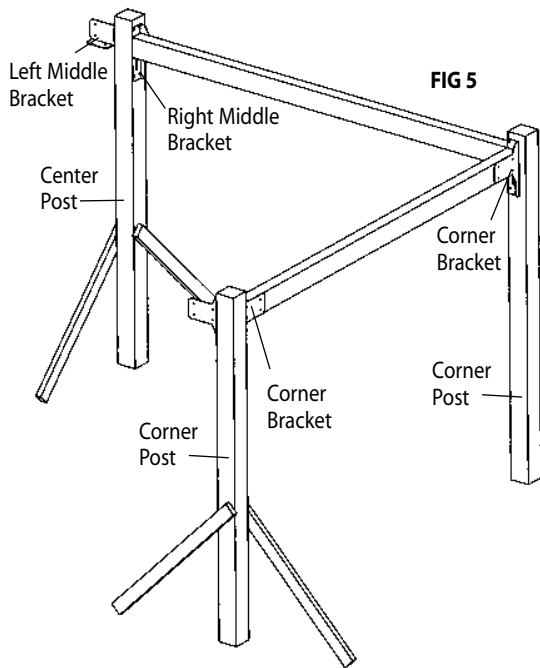
Place the *Left and Right Middle Brackets* on the 6" x 6" lumber at least 1 1/2" down from the top of the post. Drill (2) 5/16" holes in the adjustable height grooves. Temporarily secure the *Brackets* to the 6" x 6" posts with the 3/8" bolts and washers. Repeat this procedure with the second center post.

**Note:** 2-section Garden Get-Aways do not require a center post.



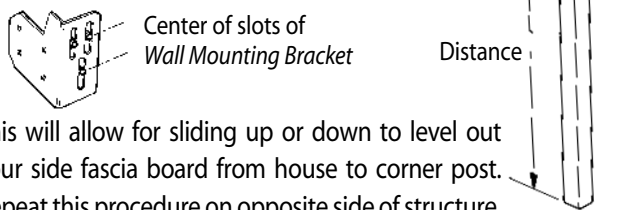
**Step 5 Connect First Center Post to Corner Posts**

Place the 4" x 6" header beam into the *Brackets*, connecting the corner post to the middle post. Level the 4" x 6" header beam. Secure the 4" x 6" beam and the 6" x 6" post to the *Brackets* by drilling all remaining 5/16" holes and inserting the 3/8" bolts and washers. Move the bracing from the corner post to the middle post as seen in figure 5.

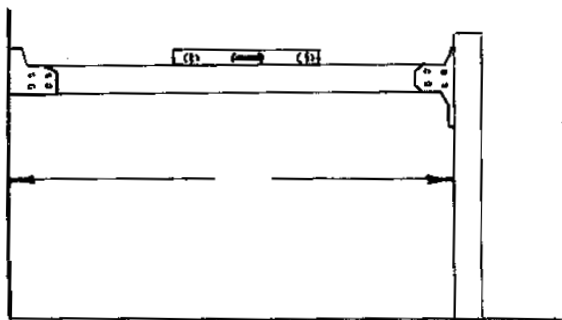


**Step 5b If you are attaching to a house ...**

When mounting to house, brackets must be attached to **well-secured** wood, brick or stone. Measure up from corner post ground to bottom of *Corner Bracket*. Transfer this measurement to house and attach one *Wall Mounting Bracket*, making sure lag bolts are in the center of the slots of the bracket.

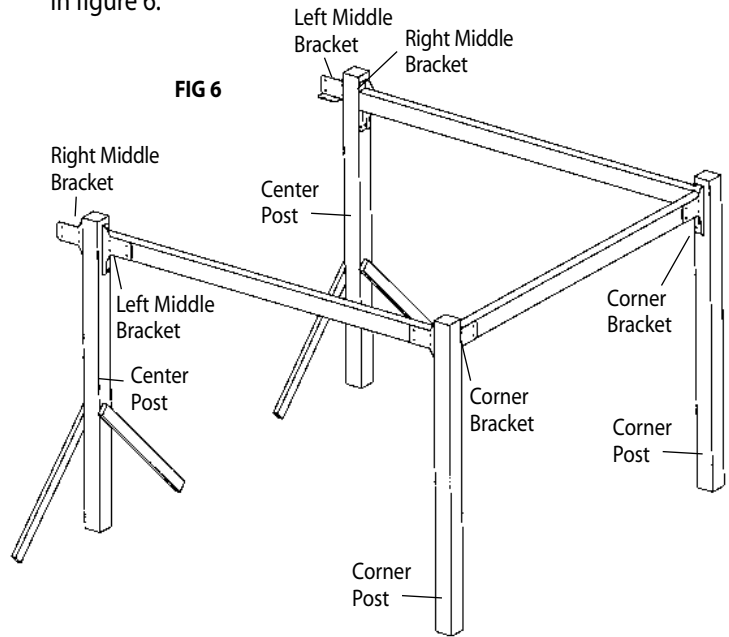


This will allow for sliding up or down to level out your side fascia board from house to corner post. Repeat this procedure on opposite side of structure.



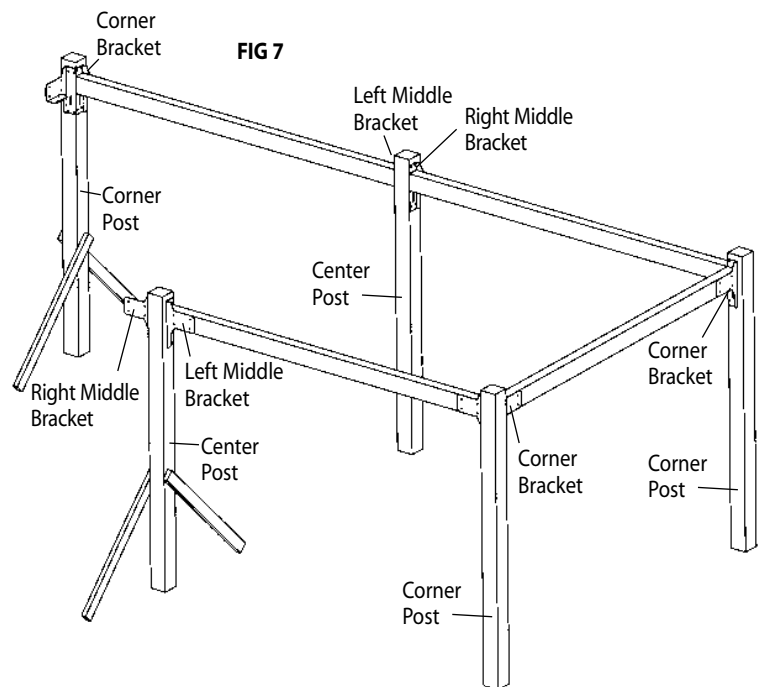
**Step 6 Connect Second Center Post to Corner Posts**

Repeat Step 5 on the opposite side of the structure. Move the bracing from the corner post to the middle post as seen in figure 6.



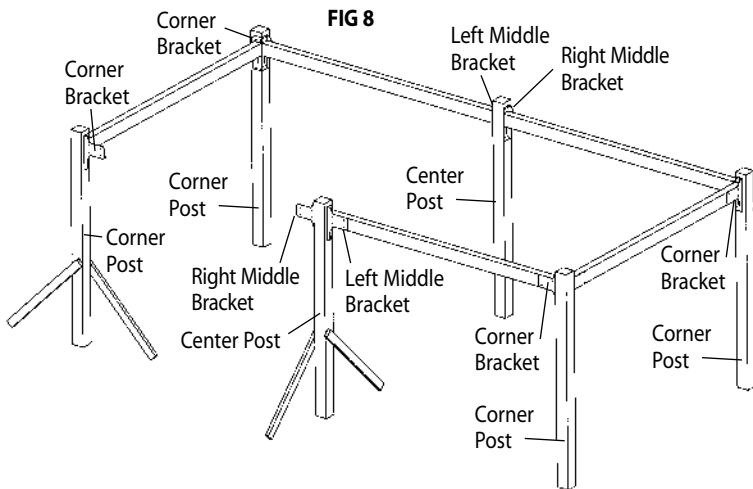
**Step 7 Connect Third Corner Post to Assembly**

Set the next corner post upright. Place the 4" x 6" header beam into the *Brackets*, connecting the middle post to the corner post. Level the 4" x 6" header beam. Secure the 4" x 6" beam and the 6" x 6" post to the *Brackets* by drilling the remaining 5/16" holes and inserting the 3/8" bolts and washers. Move the bracing from the middle post to the corner post.



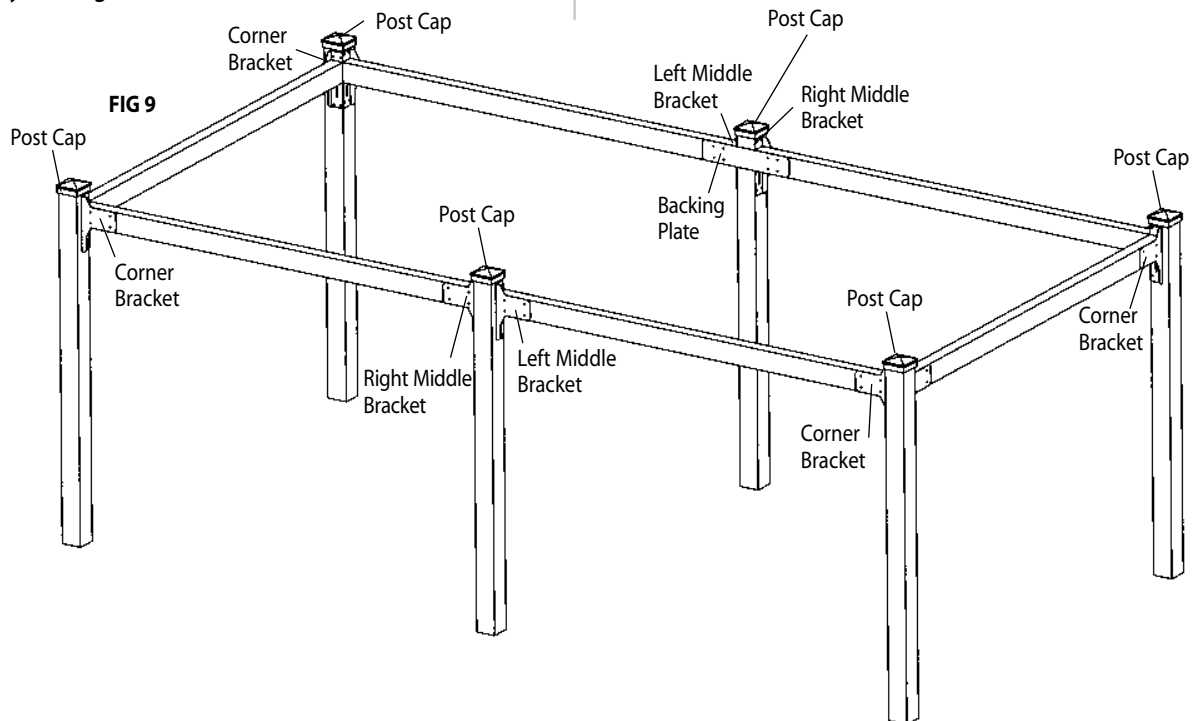
**Step 8 Connect the Last Corner Post to Assembly**

Set the last corner post upright. Place the final 4" x 6" projection beam into the Brackets, connecting the two 6" x 6" corner posts. Secure the 4" x 6" beam and the 6" x 6" posts to the Brackets by drilling all remaining 5/16" holes and inserting the 3/8" bolts and washers. Move the bracing from the corner post to the opposite corner post.



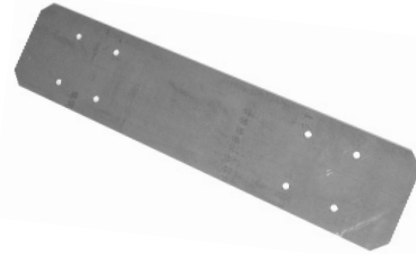
**Step 9 Attach Final Header Beam**

Move the last 4" x 6" header beam into place. Level the 4" x 6" header beam. Secure the 4" x 6" beam and the 6" x 6" posts to the Brackets by drilling the remaining 5/16" holes and inserting the 3/8" bolts and washers. Remove all temporary bracing.



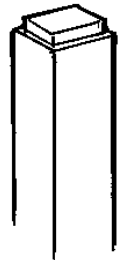
**Step 10 Attach Backing Plate**

Center the Backing Plate on the inside of the center post. Drill all 5/16" holes and secure with the 3/8" bolts and washers. Repeat this with the other center post.



**Step 11 Install Post Caps**

Place Post Caps on the top of the 6" x 6" (5-1/2" x 5-1/2" actual) posts. If caps are to be installed on true 6" x 6" posts, a router can be used to rout around the top of the post to cut down top part of post to 5-1/2" x 5-1/2".



**Step 12 Install Canopies**

Install ShadeTree® Canopies per additional instructions provided.

# Parts for ShadeTree® Garden Getaway



## Corner Bracket

This fitting connects header beam and projection beam to corner post.  
*part no. A030*

## Post Cap

Decorative cap for top of 6" x 6" posts.  
*part no. A035*

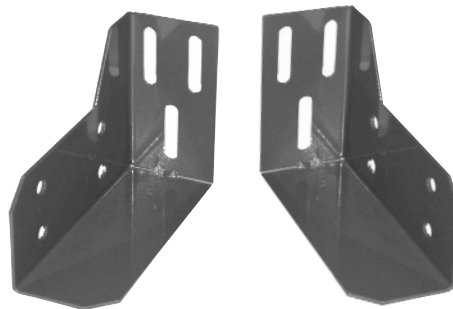
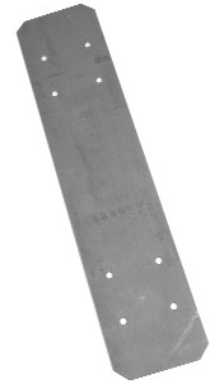


## Left and Right Middle Brackets

These fittings connect the header beams to the center posts.  
*part no. A032 (right)*  
*A031 (left)*

## Backing Plate

Secures the two header beams that connect at the center post(s).  
*part no. A033*



## Left and Right Wall Mount Brackets

These fittings connect the projection beams to the house/building wall.  
*part no. A036 (right)*  
*A037 (left)*

### Here's a chance to earn **\$50!**

We regularly use pictures in our advertising materials. If you send us reproducible pictures of your new ShadeTree® canopy installation, and we use them in any of our advertising, we will send you \$50. Interesting before-and-after pictures will receive an additional \$50. Of course, attractive landscaping and patio furniture will be a factor in selecting pictures to be used. Architects, builders and installers will receive credit mentions in the advertising.

## ShadeTree Systems, LLC

### Warranty

(Updated January 2004)

#### ShadeTree® Canopy System Products

What/Who Is Covered and for How Long

ShadeTree® Systems, LLC (ShadeTree) warrants to the original property owner/purchaser that its ShadeTree Canopy System products, when subject to normal and proper use, will be free from the manufacturing defects enumerated below. Should any enumerated defects occur during the specified time period following installation, ShadeTree will repair the defective ShadeTree System product or provide replacement material, at its option. ShadeTree also reserves the right to refund to the original owner the amount paid by the original owner for the defective ShadeTree System product (but not including the cost of labor related to its initial installation).

ShadeTree shall in no event be liable for labor charges or other expenses whatsoever in connection with removal or installation of either the original or replacement product. In the event of repair or replacement under the terms of this warranty, the original warranty shall apply to the replacement or repaired ShadeTree System component and will extend for the balance of the warranty period in effect at the time the component proved defective.

#### ShadeTree® Canopy System components carry the following warranties:

##### Canopy Fabric:

All fabrics are warranted by ShadeTree® for five years following installation against fading, rotting and mildew.

##### Posts, Aluminum and Vinyl Tracks:

All posts and overhead tracks are warranted for ten years following installation against breakage.

##### System Hardware:

All connectors and other hardware are warranted to remain operable for five years following installation.

#### Limitations

This warranty does not provide protection against any failure, defect or damage caused by situations and events beyond normal exposure conditions, including, but not limited to:

- misuse, abuse, neglect or improper handling or storage;
- improper installation or installation not in strict adherence to ShadeTree's written instructions;
- use of accessories which do not properly receive and/or secure ShadeTree® Canopy System products;
- impact of foreign objects, fire, earthquake, flood, high winds, lightning, hail, hurricane, tornado or other casualty or act of God;
- movement, distortion, collapse or settling of the ground or structure on which the ShadeTree® Canopy System product is installed;
- any other cause not involving enumerated manufacturing defects in the Canopy System product supplied by ShadeTree;

#### Transferability

This warranty is not transferable.

#### Other Conditions

This warranty replaces all other oral or written warranties, liabilities or obligation of ShadeTree, pertinent state law shall control for what period of time following the sale a property owner/consumer may seek a remedy under the implied warranty of merchantability or of fitness for a particular purpose. In no event shall ShadeTree be liable for consequential or incidental damages of any kind resulting from the breach of this warranty. No field representative of ShadeTree or any distributor or dealer is authorized to make any change or modification to this warranty. Some states do not allow limitations on, or the exclusion of, incidental or consequential damages, so the above exclusions may not apply to you.

The warranty value is "pro-rated" based on invoice date and is not a full replacement warranty.

This warranty gives you specific legal rights, and you may also have other rights which may vary from state to state.

#### What the consumer must do:

The property owner/consumer must keep the original invoice as proof of date of purchase and installation, in case a warranty claim is made.

Notify ShadeTree in writing of any manufacturing defect promptly following its discovery and provide proof of the date of purchase and installation, as well as proof of property ownership. All notifications should be sent to:

ShadeTree® Systems, LLC  
6317 Busch Blvd.  
Columbus, OH 43229  
Attn: Warranty Service Department

The property owner/consumer will be required to submit the defective material to ShadeTree for analysis. (ShadeTree will accept pictures of the larger items such as posts, and tracks.) ShadeTree will then investigate the claim and examine the material claimed to be defective. ShadeTree, at its sole discretion, will determine if a warranty claim is justified or not. If a defect covered by this warranty is confirmed, ShadeTree, within a reasonable amount of time after the inspection, will repair or provide replacement material, or refund the amount paid by the original owner for the defective product per the terms of this warranty.

This warranty is effective for products purchased after October 15, 2001.



40-75-GAW  
Printed in U.S.A.